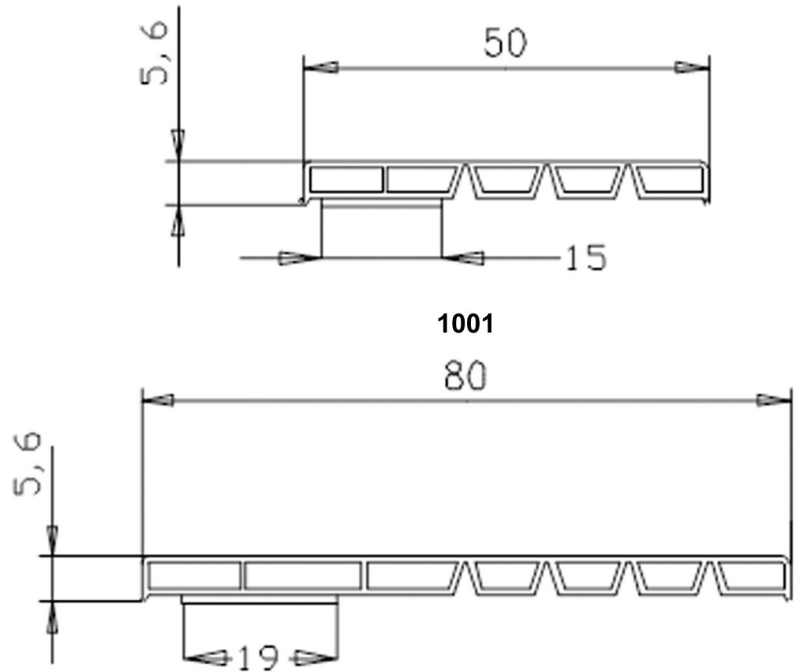
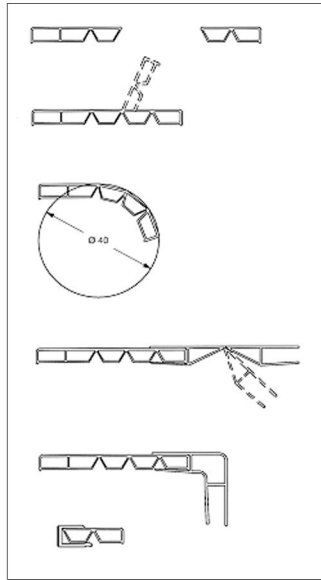


# Hohlkammerleisten

Cavity strips

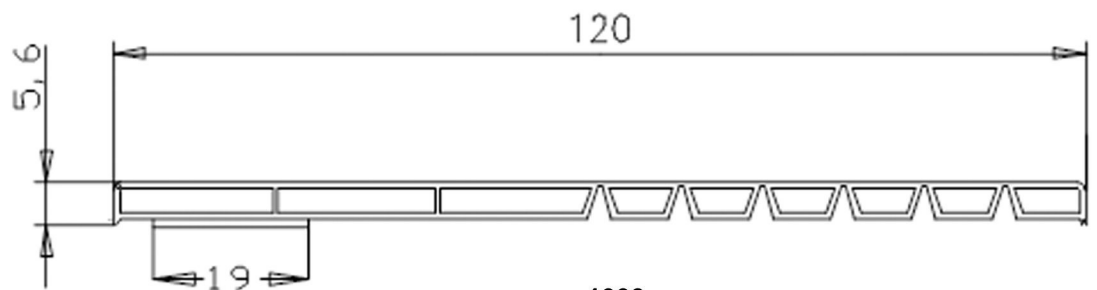
## Vario - System profile

Vario system - profiled strips

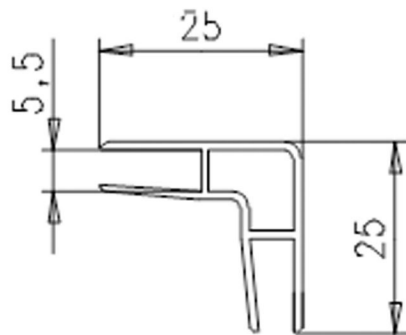


Patent DBP 43 25 611 C2

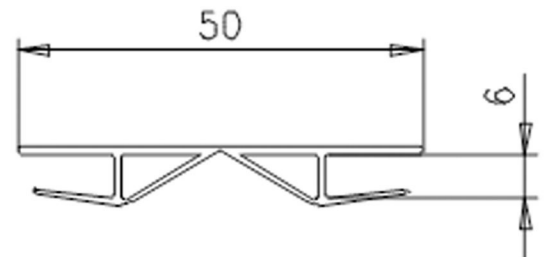
1002



1003



1005



1004

Hohlkammerleisten  
Cavity strips