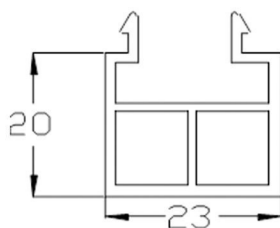


Sohlbankanschlüsse

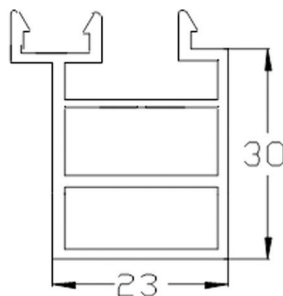
Sill connections

für TROCAL

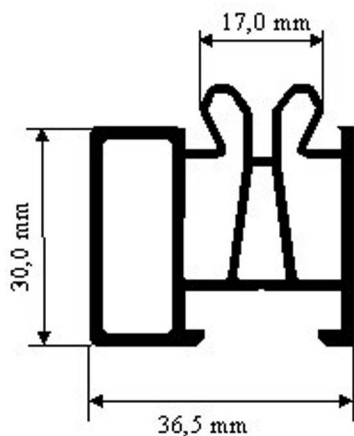
for TROCAL



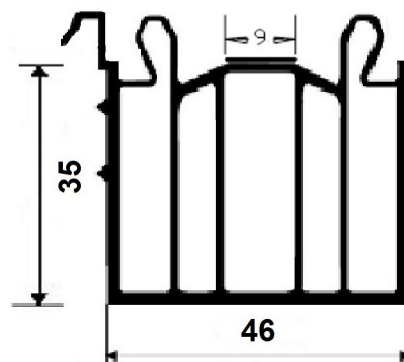
427



428/2330



426



629/7